

SA700 Sliding Arm Awning

Energy Saving

Excellent solar control with a clear view out the SA700 awning is ideal where head clearance for the support rails is essential. Creating that feeling of Biophilic design, bringing the outside into the building, this awning is an attractive solution that enhances and adjusts your thermal and visual comfort.



Sliding arm awnings operate the same way as a drop arm except that the pivot point moves up as the blind drops. There are three versions in our range with projections of 1650mm and 1950mm. This allows a longer projection and better head clearance under the arms. A spring provides resistance to wind buffeting.

Perfect for narrow and shorter drop windows SA700 awnings allow you to block out sunlight and solar gain giving you a clear view and sun protection.

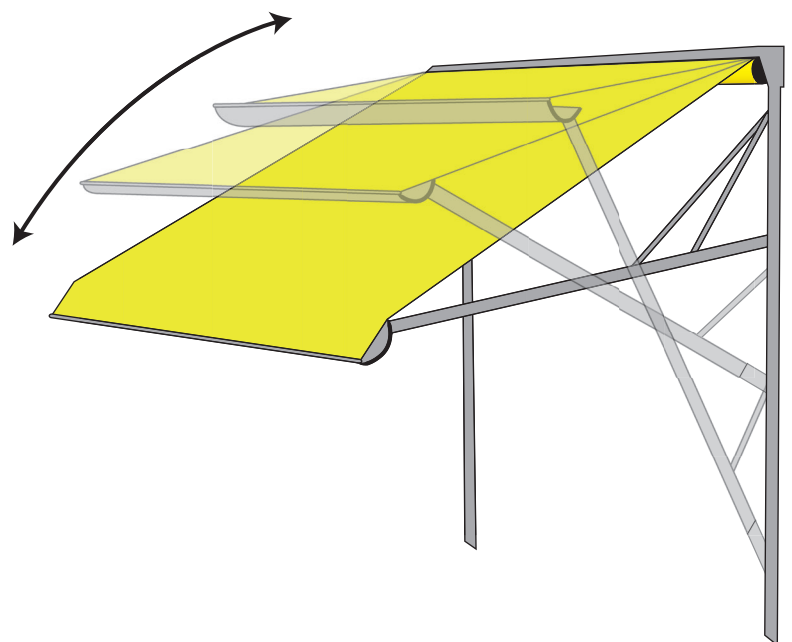
There are three versions in our range.

SA701 with an enclosed aluminium top board to house the roller and fabric and fixed with brackets at either end

SA702 with spreader brackets along the box for weaker fixing surfaces.

SA715 Suitable for fitting under balconies and overhangs as it does not have a weather protection top board.

Operation of SA700 awnings is either with a winding handle from the outside or the drive can be taken into your buildings to a winding handle inside. More conveniently with motorised operation you just press a switch.



Energy Saving

Excellent solar control with a clear view out the DA700 awning can be adjusted to a full or horizontal drop to vary the amount of sunlight that you wish to allow into the building. An attractive solution that enhances and adjusts your thermal and visual comfort.

The front rail of a drop arm blind lowers by gravity and is fixed to the side arms that fall from a pivot point on the wall so the projection is equal to the drop of the arm. They can drop to 90° or for protection from lower angle sun up to 135°.



Perfect for narrow and shorter drop windows DA700 awnings allow you to block out sunlight and solar gain as much or as little as you want adjusting the angle lets you decide how much light enters the house or office. With DA700 drop arm awnings you have a clear view out and sun protection.

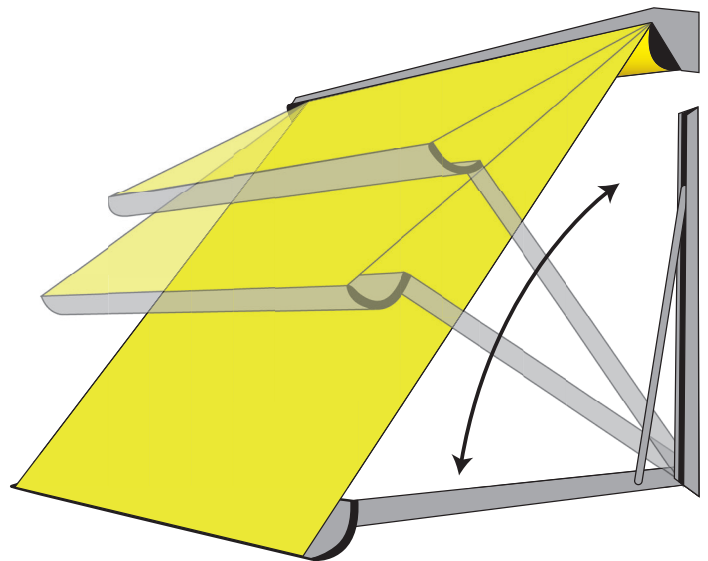
There are three versions in our range with projections of 900mm up to 1400mm and two variations of the support arms.

DA701 with an enclosed aluminium top cover to house the roller and fabric and fixed with brackets at either end.

DA702 with spreader brackets along the top cover for weaker fixing surfaces.

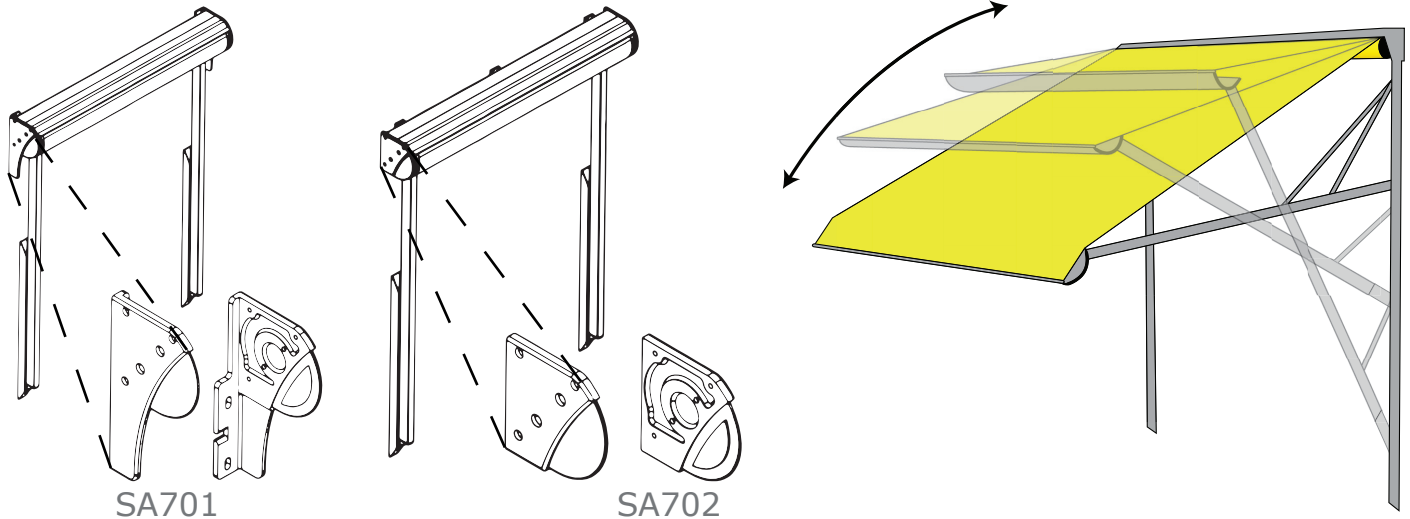
DA715 Suitable for fitting under balconies and overhangs where it does not require a weather protection top cover.

Operation of DA700 awnings is either with a winding handle from the outside or the drive can be taken into your buildings to a handle inside. More conveniently with motorised operation you just press a switch or link them to automated controls.



SA700 Sliding Arm Awning

Perfect for narrow and shorter drop windows SA700 awnings allow you to block out sunlight and solar gain giving you a clear view out and sun protection.



Projection Dimension in mm	Width Dimensions			
	Manual		Motorised	
	Min	Max	Min	Max
1600	300	5000	630	5000
1950	300	5000	630	5000

Top cover

With type 701 and 702 the fabric is protected over the entire width of the awning by a top cover profile. For top fixing under an overhang type SA715 does not require a top cover.

Sliding Arms

1600 or 1950mm projection with a hydraulic cylinder attached to the arms and arm channel for use where stronger wind buffeting may occur.

Fabric Type

Dyed acrylic fibre in a range of solid colour and attractive stripes and patterns. Treated to resist rot, fungal growth and is resistant to dirt.

Type SA701

Designed for face fixing at the ends and suitable if the fixing surface is robust. The end cheeks are extended with the fixing positions below the line of the box.

Type SA702

Brackets are positioned along the length of the box and suitable when end fitting is not feasible and it is necessary to spread the load.

Type SA715

Type SA715 has end brackets the same as SA701 but without the top cover.

Operation

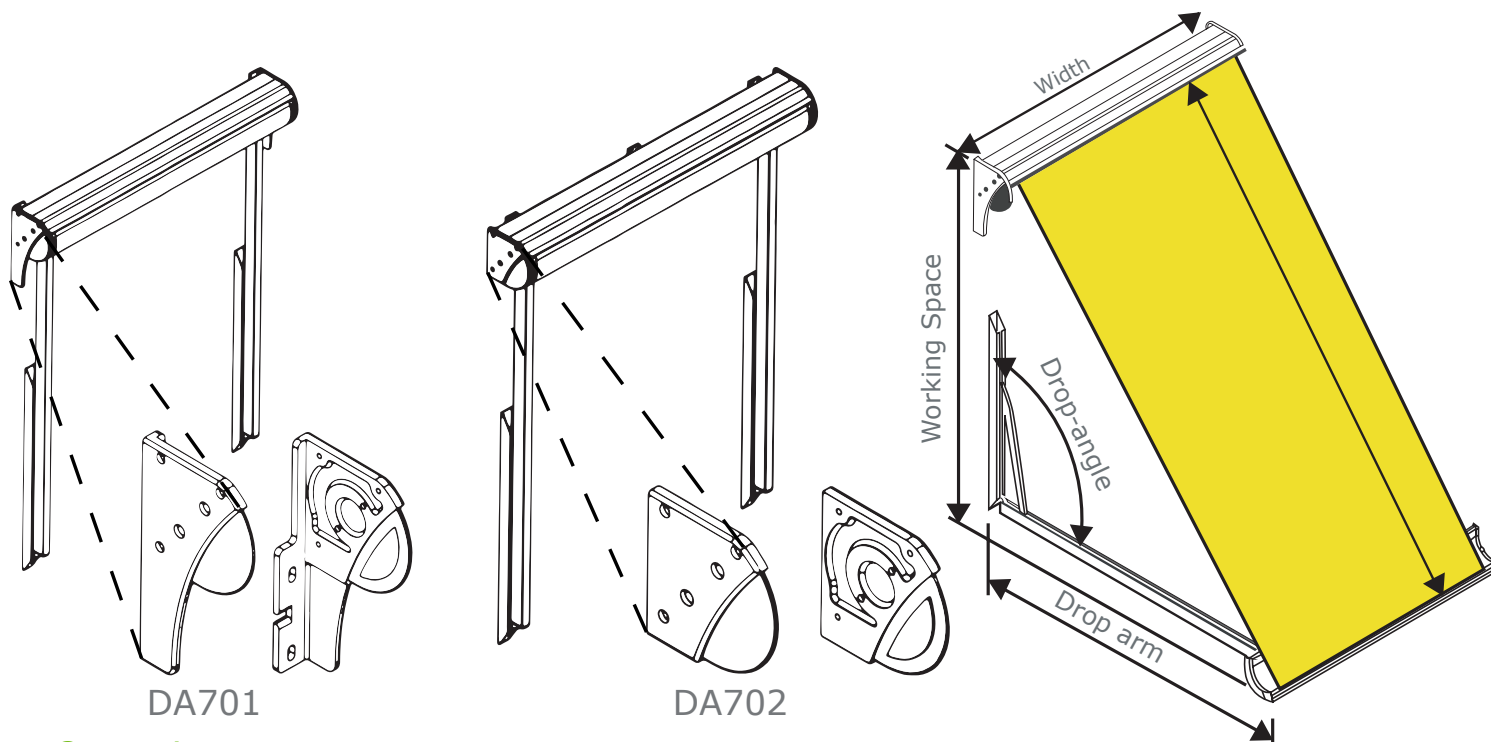
Two choices of operating system

Manual operation with a gear box and detachable rod. Motorised operation using an integrated tubular motor hard wired and controlled by a conventional switch.

Additional motorised control options

Motor with integrated radio receiver for operation with a wall mounted or hand held radio transmitter. Wind/sun control unit. Controls linked to a home or building management system see "A guide to control options for motorised shading."





Operation

Two choices of operating system

Manual operation with a gear box and detachable rod.
Motorised operation using an integrated tubular motor hard wired and controlled by a conventional switch.

Additional motorised control options

Motor with integrated radio receiver for operation with a wall mounted or hand held radio transmitter.
Wind/sun control unit.
Controls linked to a home or building management system see "A guide to control options for motorised shading."

Top cover

With type 701 and 702 the fabric is protected over the entire width of the awning by a top cover profile. For top fixing under an overhang type DA715 does not require a top cover.

Drop Arms

Storm arms (SA) with a fixed pivot and stainless steel balancing spring
Hydraulic spring arms (WGA) with a fixed pivot and an hydraulic balancing cylinder.

Fabric Type

Dyed acrylic fibre in a range of solid colour and attractive stripes and patterns. Treated to resist rot, fungal growth and is resistant to dirt.

Projection Dimension in mm	Width Dimensions			
	Manual		Motorised	
	Min	Max	Min	Max
900	300	5000	630	5000
1050	300	5000	630	5000
1250	300	5000	630	5000
1400	300	5000	630	5000

Type DA715

Type DA715 has end brackets the same as DA701 but without the top cover.

Type DA702

Brackets are positioned along the length of the box and suitable when end fitting is not feasible and it is necessary to spread the load.

Type DA701

Designed for face fixing at the ends and suitable if the fixing surface is robust. The end cheeks are extended with the fixing positions below the line of the box.

