

# Guardian External Shutter Blinds

## Technical Specification

### Operation

Guardian blinds have an all metal construction with self supporting slats. They are mono controlled with both tilt and raise/lower on one motor. The sequence of the operation is that it first tilts to the closed position and then lowers. Reversing the operation causes the blind to first tilt to the opposite closure before raising. Thus the blind can be fully tilted at any point between fully lowered and fully raised by reversing the control. The slat angle can be also factory set to lower in the working (45°) position.

Blinds are raised in the open position. Integrated safety locking device in each position. A standard reversing edge prevents the blind from being damaged when it encounters obstacles in motion (up to 2250mm in height).

### Slats

Made from special grade aluminium alloy that is designed to give the greatest flexibility with maximum resistance to corrosion.

They are roll-formed from pre-coated aluminium strip that has been specially treated before enamelling to give maximum bond between metal and the finish.

The enamel, in a wide range of colours, is then baked to give a finish highly resistant to scratching, fading and cracking. The profile is 96mm wide x 0.45mm thick with a rigid form.

Roll formed steel section 58mm wide x 56mm deep which conceals the operating mechanism and has a galvanised finish.

### Technology in detail

- 1 Self supporting blind system as built-in or with a coverbox.
- 2 Each slat is individually fastened to the mechanism on the side.
- 3 Steel lifting chain and drive chain.
- 4 Plastic sealing lip for tight closure.
- 5 Stainless scissor chain.



# Guardian External Shutter Blinds

## Self-supporting sideguide system

The headrail is fixed to self-supporting guide rails that avoids the need for intermediate brackets to support the headrail. The sturdy rails made from extruded aluminium enclose the operating mechanism that drives the louvres. The lifting and adjustment mechanism is integrated into the guides. The lateral lifting mechanism operates using steel roller chains. A stainless scissor link mechanism adjusts the operation of the louvres in each blind position. The drive mechanism obviates the need for conventional venetian blind ladder braid and lift tape for a more secure operation and visual effect.

## Tilt and Raise Rod

Rigid 14mm hexagonal section of extruded aluminium fitted. Of a dimension to ensure minimal deflection across the width.

## Motorised Control

### Motors

The motor is located in the blind headrail. It is 240v single phase with a maximum current requirement of less than 1 amp. It is supplied with an 80cm "flying" lead. This should be connected to a junction box or plug adjacent to the headrail to facilitate removal for maintenance.

### Wiring

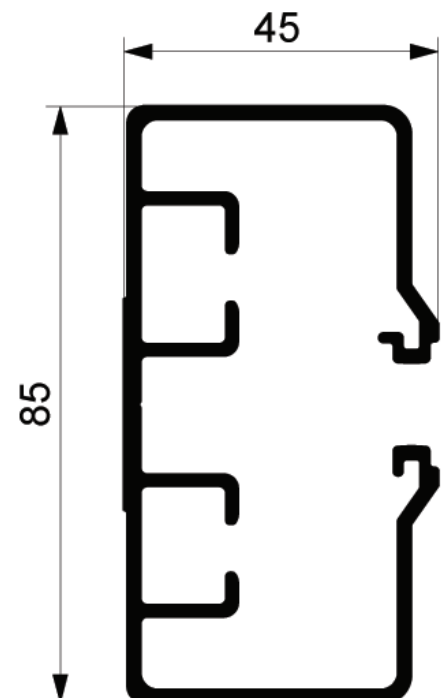
The motor has a four core cable Neutral, Earth, Supply for lower and Supply for raise. Wiring diagrams are available for all standard control options.

### Switches

A range of switches is available. Before using any other type of switch it is important to confirm with us that it is compatible to maintain the motor manufacturers warranty.



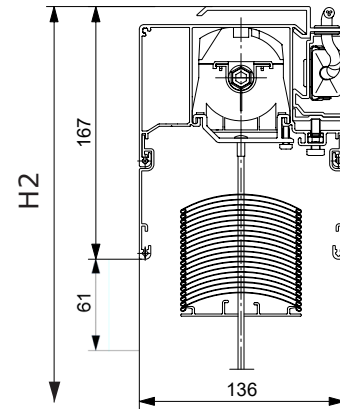
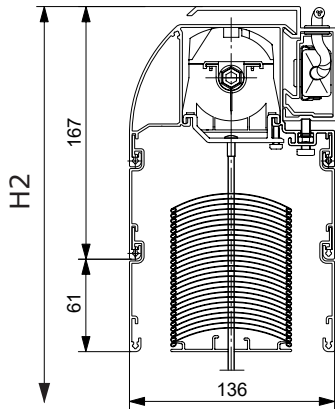
Sectional view of slat



Sectional view of guide rail



# Guardian External Shutter Blinds

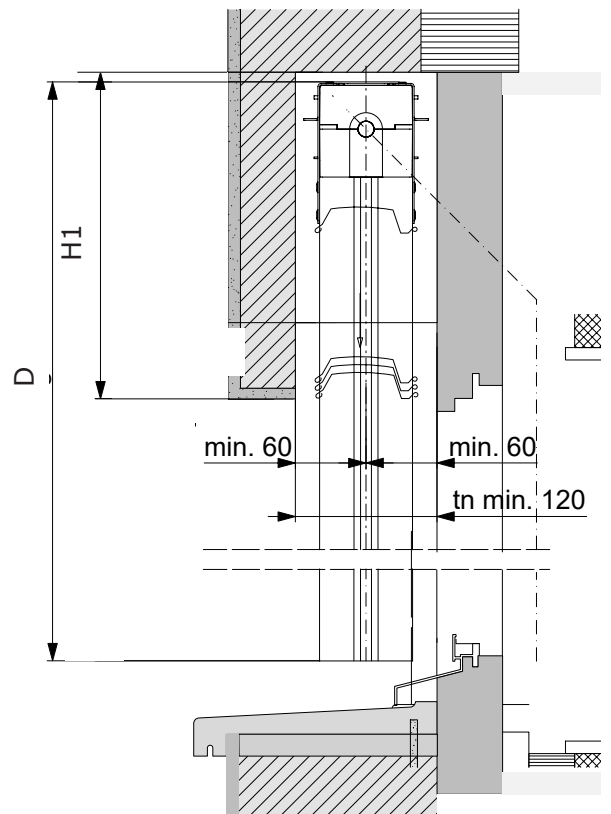


## Cover Box

Ideally the blind is recessed into an opening above the window head. A minimum opening width of 120mm is required to allow access, this dimension should not be exceeded. The depth required (H1) is shown on the stacking chart. On existing buildings a fascia or box will be required to house the blind when retracted.

Dimension Chart				
	MinWidth (mm)	Max Width (mm)	Max drop (mm)	Max Sq. Area
Guardian	700	2800	4000	8

Stacking dimensions and dimensions for blinds in standard boxing		
Drop size (D)	Stacking height (H1)	Boxing or Fascia height (H2)
400 - 1000	270	290
1001 - 1250	285	290
1251 - 1500	310	350
1501 - 1750	340	350
1751 - 2000	365	410
2001 - 2250	390	410
2251 - 2500	420	470
2501 - 2750	445	470
2751 - 3000	470	470
3001 - 3250	500	535
3251 - 3500	525	535
3501 - 3750	550	535
3751 - 4000	580	595



Header dimensions are approximate values which may exhibit negative or positive deviations depending on the technical circumstances



Hallmark Blinds  
173 Caledonian Road  
London, N1 0SL

www.hallmarkblinds.co.uk  
info@hallmarkblinds.co.uk  
Tel: +44 207 837 0964