

CA430 **Folding arm awing**

The CA430 has a fully enclosed box, which makes it suitable for installation in locations that are not protected against rain or wind.

Thanks to a unique water drainage system, no water can penetrate into the box when the awning is closed, so the fabric remains attractive for a long time. There's also no opportunity for rust. The box and front rail are made from extruded, powder-coated aluminium, and all fastening materials are made from high quality stainless steel.

Finally, the robust arms with integrated tension springs are designed for frequent use, so you can be sure of enjoying many sunny summers in the shade.

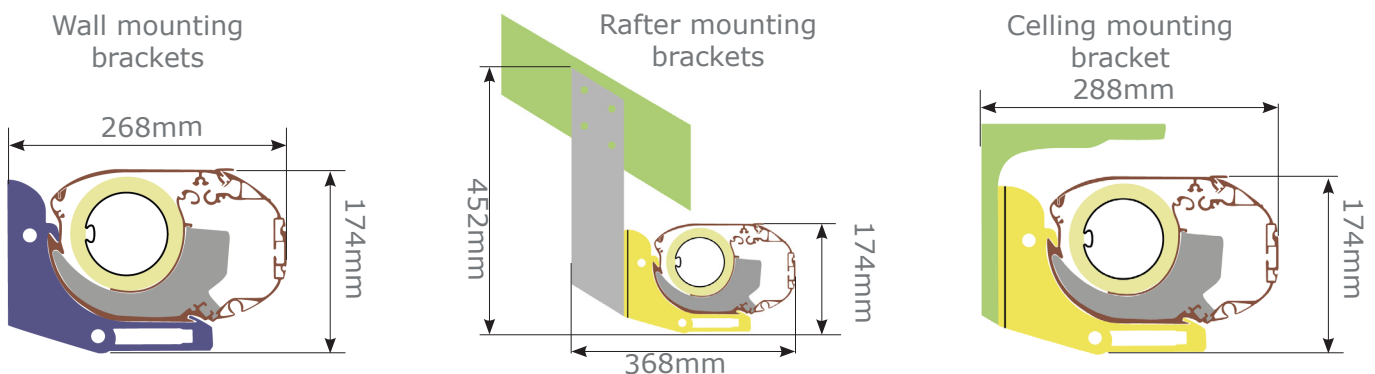
The key features of the CA430

- Fully enclosed box with drip rail
- Front rail pole with integrated drain
- Arms with dual integrated tension springs
- Trim harmonised with fabric colour
- Optional valance



Mounting Options

The folding arm awning is mounted using robust adjustable wall brackets discreetly concealed behind the box. The number of wall brackets depends on the width of the awning.



Dimensions

Width

Minimum depends on the selected projection and cannot be less than projection+ 464 mm
Maximum 7m. Coupling of two CA430 folding arm awnings is not possible.

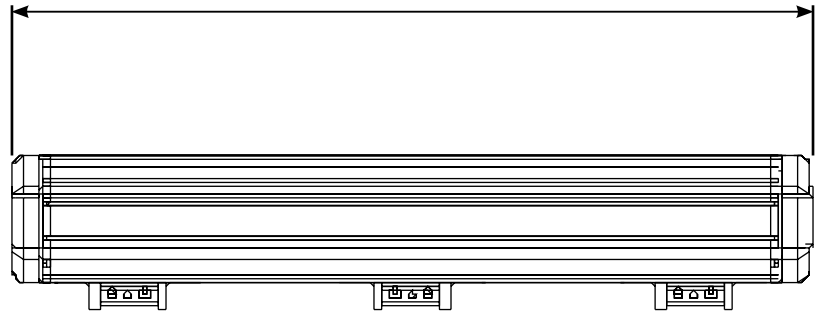
Projection

Minimum 1.500 mm
At 500mm intervals to
Maximum 3.500 mm

Weight: Approx. 18 kg per metre width.

Minimum mounting height: 2.15m + clearance dimension 'B'

Total Width



		Clearance Dimension 'B'			
A (mm)	B (mm)	A (mm)	B (mm)	A (mm)	B (mm)
1500	260	1500	1060	1500	1060
2000	245	2000	1415	2000	1415
2500	435	2500	1770	2500	1770
3000	520	3000	2120	3000	2120
3500	610	3500	2475	3500	2475

Fabric

The fabric is protected over the entire width of the awning by a fabric roller support profile which ensures that it is concealed from sight and safely enclosed in the box. The inner surface of this profile is covered with a plastic anti wear coating this ensures good fabric guidance and extends the life of the fabric.

Fabric Type: Acrylic

Composition -Dyed acrylic fibre.

Colours -A range of solid colour and attractive stripes and patterns.

Thickness -Approx 0.5 mm

Properties -Treated to resist rot, fungal growth and resistant to dirt.

Operation

Two choices of operating system

- Manual operation with a gear box and detachable rod
- Motorised operation using an integral tubular motor, hard wired and controlled by a conventional switch.

Motorised control options

- Motor with integrated radio receiver for operation with a wall mounted or hand held radio transmitter.
- Wind/sun control unit.
- Linked to a building or home management system.

See our "A guide for control options for motorised shading"