

# SA700 Sliding Arm Awning

## Energy Saving

Excellent solar control with a clear view out the SA700 awning is ideal where head clearance for the support rails is essential. Creating that feeling of biophilic design, bringing the outside into the building, this awning is an attractive solution that enhances and adjusts your thermal and visual comfort.



Sliding arm awnings operate the same way as a drop arm except that the pivot point moves up as the blind drops. There are three versions in our range with projections of 1650mm and 1950mm. This allows a longer projection and better head clearance under the arms. A spring provides resistance to wind buffeting.

Perfect for narrow and shorter drop windows SA700 awnings allow you to block out sunlight and solar gain giving you a clear view and sun protection.

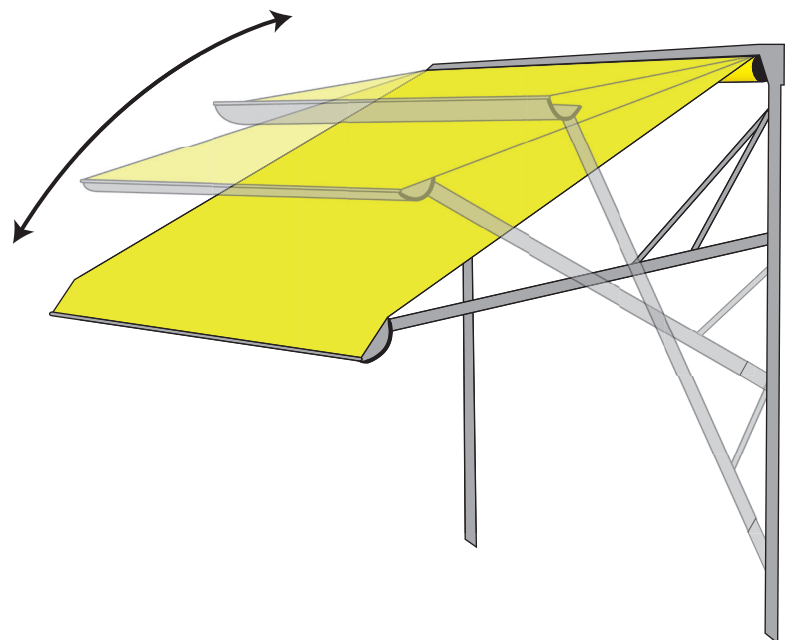
There are three versions in our range.

SA701 with an enclosed aluminium top board to house the roller and fabric and fixed with brackets at either end

SA702 with spreader brackets along the box for weaker fixing surfaces.

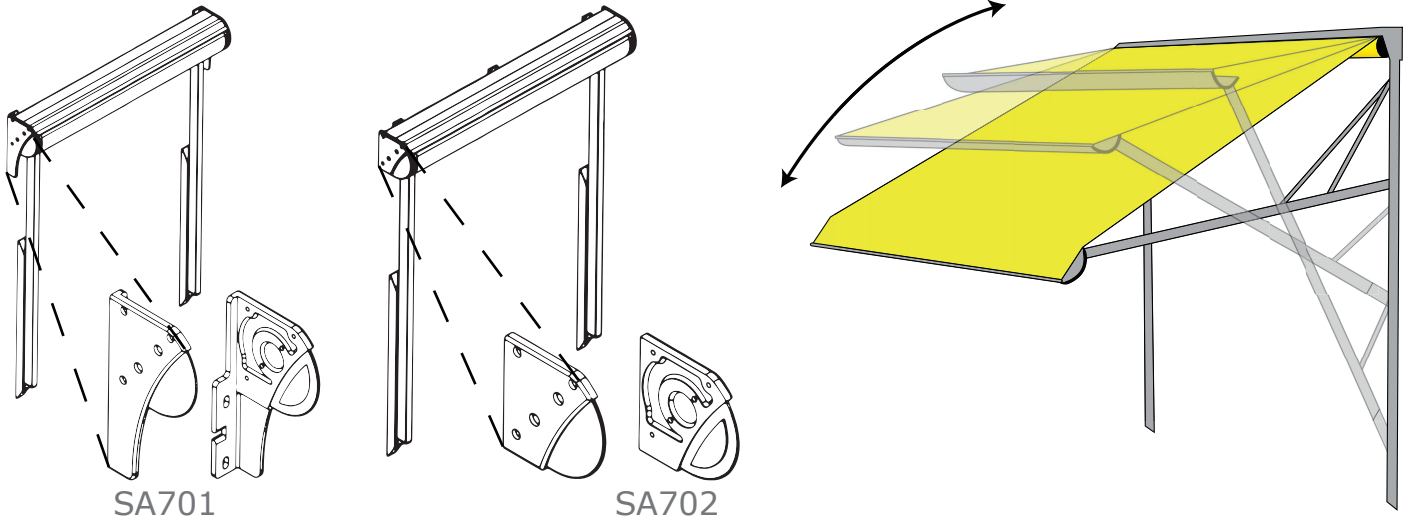
SA715 Suitable for fitting under balconies and overhangs as it does not have a weather protection top board.

Operation of SA700 awnings is either with a winding handle from the outside. More conveniently with motorised operation you just press a switch.



# SA700 Sliding Arm Awning

Perfect for narrow and shorter drop windows SA700 awnings allow you to block out sunlight and solar gain giving you a clear view out and sun protection.



| Projection Dimension in mm | Width Dimensions |      |           |      |
|----------------------------|------------------|------|-----------|------|
|                            | Manual           |      | Motorised |      |
|                            | Min              | Max  | Min       | Max  |
| <b>1600</b>                | 300              | 5000 | 630       | 5000 |
| <b>1950</b>                | 300              | 5000 | 630       | 5000 |

## Top cover

With type 701 and 702 the fabric is protected over the entire width of the awning by a top cover profile. For top fixing under an overhang type SA715 does not require a top cover.

## Sliding Arms

1600 or 1950mm projection with a hydraulic cylinder attached to the arms and arm channel for use where stronger wind buffeting may occur.

## Fabric Type

Dyed acrylic fibre in a range of solid colour and attractive stripes and patterns. Treated to resist rot, fungal growth and is resistant to dirt.

## Type SA701

Designed for face fixing at the ends and suitable if the fixing surface is robust. The end cheeks are extended with the fixing positions below the line of the box.

## Type SA702

Brackets are positioned along the length of the box and suitable when end fitting is not feasible and it is necessary to spread the load.

## Type SA715

Type SA715 has end brackets the same as SA701 but without the top cover.

## Operation

### Two choices of operating system

Manual operation with a gear box and detachable rod. Motorised operation using an integrated tubular motor hard wired and controlled by a conventional switch.

### Additional motorised control options

Motor with integrated radio receiver for operation with a wall mounted or hand held radio transmitter. Wind/sun control unit. Controls linked to a home or building management system see "A guide to control options for motorised shading."