

Façade 125 External Roller Screens

Key features

- Maximum blind dimensions:
Width 3.5m – Height 4.5m
- Cassette dimensions: 125mm diameter
- Motorised drive
- Construction in most colours
from the RAL palette
- Variety of mesh screen and solid fabrics.

Technical Specification

Cassette Box

Extruded aluminium profile O/A 125mm contains the roller, motor and operating mechanism and is clamped to the steel cable.

Bottom Rail

42mm diameter extruded aluminium with nylon caps that locate on to the support cable.

Support Cable

10mm stainless steel cable that extends above and below the blind and can be continued between systems on different floors.

Support Cable Brackets

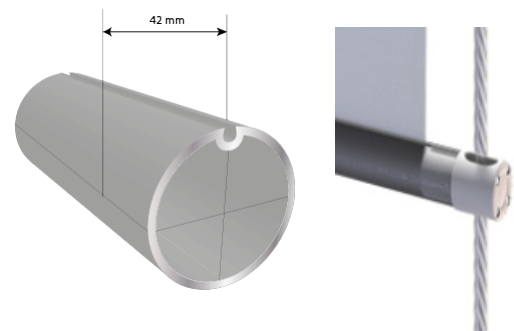
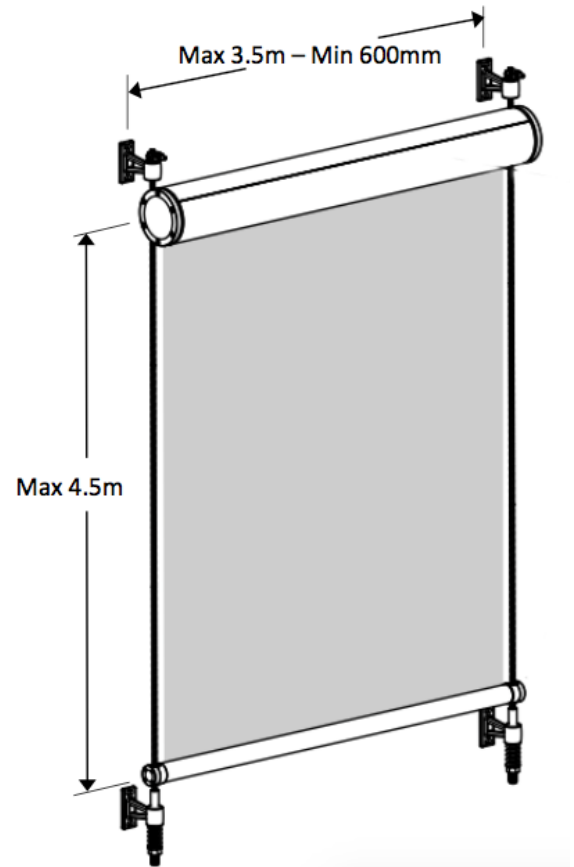
Cast aluminium brackets. Double cable bracket available for adjacent blinds.

Finish

All exposed aluminium components are polyester powder coated to a standard range of RAL colours and custom colours are available.

Fabric

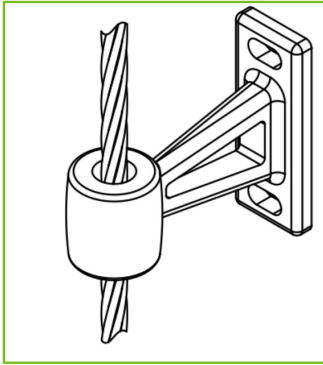
Soltis 92 re-inforced PVC mesh material in an extensive colour range.



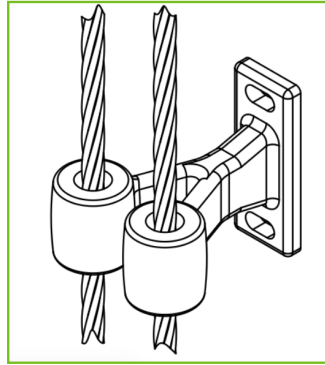
Bottom Rail

Façade 125

External Roller Screens



Cable Support Bracket



Double bracket

Motorised Control

Motors

The motor is located in the roller tube in the box cassette. It is 240v single phase with a maximum current requirement of less than 1 amp. It is supplied with an 80cm "flying" lead. This should be connected to a junction box or plug adjacent to the cassette to facilitate removal for maintenance. 110v motors are also available. The motor has a four core cable Neutral, Earth, Supply for lower and Supply for raise. Wiring diagrams are available for all standard control options.

Switches

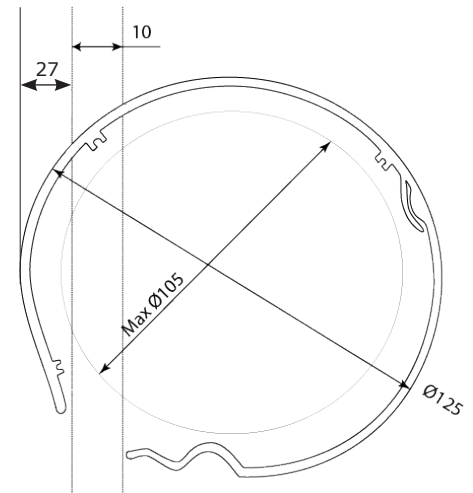
A range of switches is available. Before using any other type of switch it is important to confirm with us that it is compatible to maintain the motor manufacturer's warranty.

Automatic Control

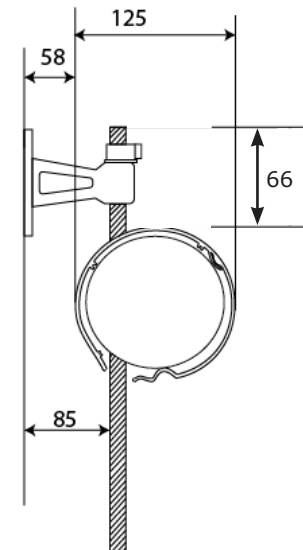
For maximum energy benefit shading should be able to react to changing weather conditions and the movement of the sun. Control with sensors for sun and wind provide the optimum solutions that can be linked to Building or Home Management Systems.

See "A guide to control options for motorised shading".

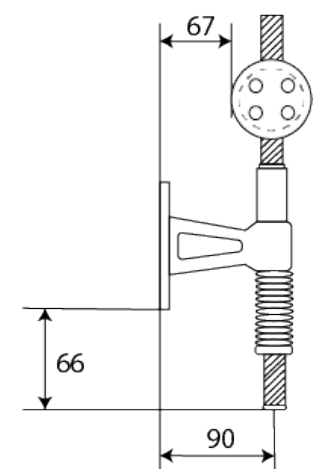
MinWidth (mm)	600mm
Max Width (mm)	3500mm
Max drop (mm)	4500mm



Cassette box with cable position



Bracket position at cassette box



Lower bracket position