

VR 130 Roller shutter

Designed for security VR130 shutters also save energy by providing insulation from heat loss and noise. When closed to the lowered position they are also very effective in reducing solar gain but they still allow some light. When fully closed they provide dimout for bedrooms or audio visual presentations.

The shutter lath of aluminium or pvc is fitted into aluminium guides. The roller shutter boxes are always made of aluminium. There is a choice of a rounded (model P) and a bevelled (model S) box.

The box, guide rails and bottom slat are available in a number of standard colours. They can also be powder coated in any other RAL colour.

The slats, can be chosen from numerous standard colours, depending on the type.

Safety Version Options

1) Anti-lift mechanism:

The shutter is attached to the roller by means of hanging links so that it is practically impossible to lift the shutter.

2) Top box:

This box, made of extruded aluminium, is much more rigid and thicker - making it even sturdier and more stable than the standard profile



3) Safety bottom rail:

3) Safety bottom rail:

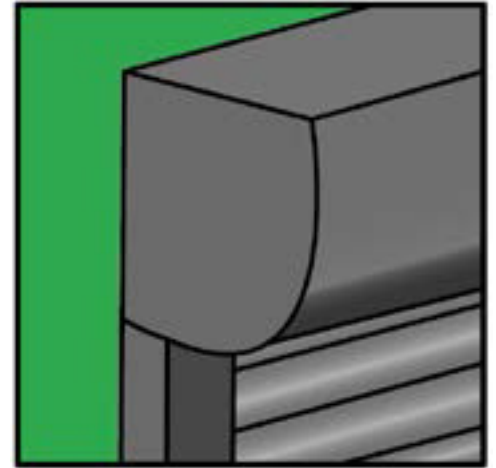
This bottom rail has an extra wide lip so that it is difficult to be gripped.



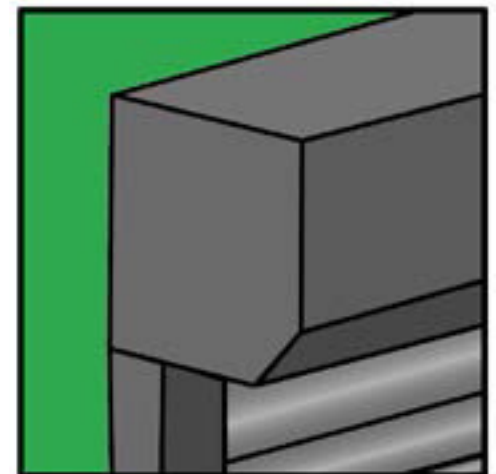
4) Safety slat:

4) Safety slat type ADS41:

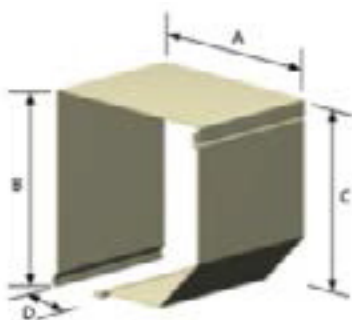
This slat is filled with an extremely hard foam so that it is even more rigid than the ordinary Hallmark slats.



S. Rounded Box

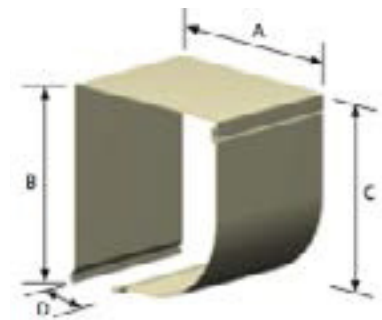


P. Bevelled Box



VR130 S. Beveled box

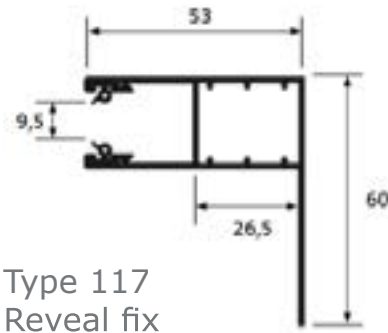
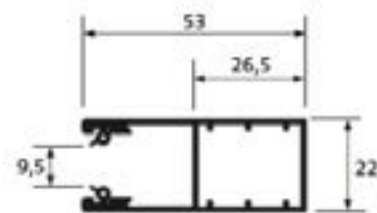
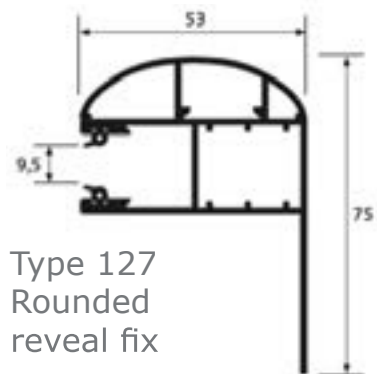
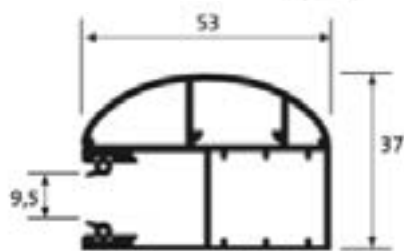
Box Dimensions				
Type	A	B	C	D
137	137	147	137	40
150	150	160	150	40
165	165	175	165	45
180	180	190	180	45
205	205	215	205	45
230	230	240	230	45



VR130 P. Rounded box

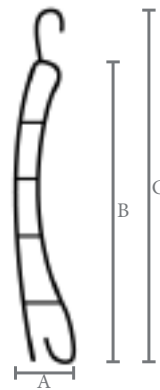


Side Guides

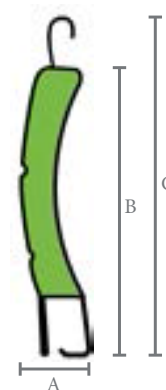

 Type 117
Reveal fix

 Type 118
Face Fix

 Type 127
Rounded
reveal fix

 Type 128 rounded
face fix

Slat types

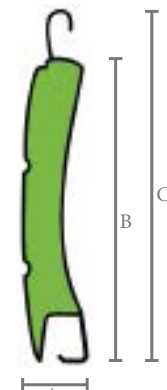
	PVC37	Aluminium ADE30	Aluminium ADE41/*ADS41
slat thickness (mm) (A)	7,8	8,2	8,7
Cover height (B)	37,1	33	41
Total height (C)	43,2	39,5	48,8
Maximum width (m)	1,6	3	4
Maximum height (m)	2,4	3	3
Maximum surface area (m ²)	3	6	8



PVC37



ADE30


 ADE41/
ADS41*

*ADS41: This safety slat is filled with an extremely hard foam so that the anti-burglary properties are higher than with normal slats.



Slat profile showing ventilation slots that provide light and air flow in the lowered position and are covered when fully closed.

Operation

Manual operation with tape, rod, or for motorised operation. Of course the latter is the handiest. You can let the roller shutter roll up or down with the aid of a switch or a remote control. Or what about a time switch that operates the roller shutter at the times of your choosing. Motorised individually operated or grouped and with timers to operate automatically and give the impression of occupation when you are away.

