

LX530 Folding Arm Awning

The LX530 has a fully enclosed box, which makes it suitable for installation in locations that are not protected against rain or wind. This ensures that the fabric will remain attractive much longer. Two folding arms are fitted for widths up to 6 metres. Awnings with widths of 6 to 7 metres have three arms, and coupled awnings (with widths of up to 12 metres) are fitted with four arms. Each of the arms has two integrated tension springs to ensure many summers of useful life. Just as with all Hallmark solar shading, rust is not possible. The box and front rail are made from extruded, powder-coated aluminium, and all fastening materials are made from high-quality stainless steel.

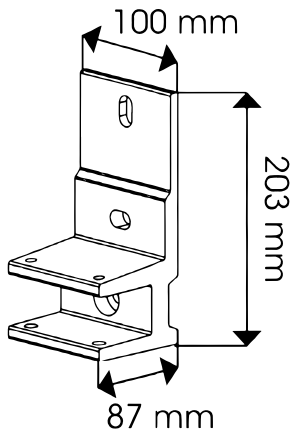
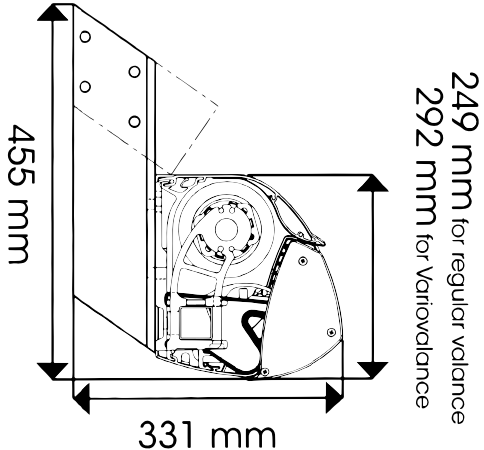
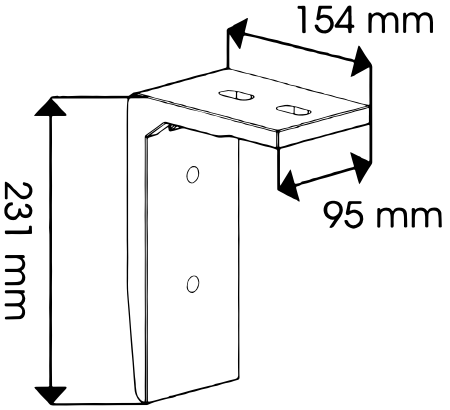
Key features of the LX530

- Width up to 7m in one section or 12m in two sections.
- Up to 4 metres projection.
- Up to four arms with dual integrated tension springs.
- Fully enclosed box with drip rail.
- Optional regular valance or variovalance.

Mounting options

The folding arm awning is mounted using robust adjustable wall brackets discreetly concealed behind the box. The number of wall brackets depends on the width of the folding arm awning.



Wall Mounting bracket	Rafter Mounting Brackets*	Ceiling Mounting brackets*
		

*Always in combination with wall brackets



Specification sheet

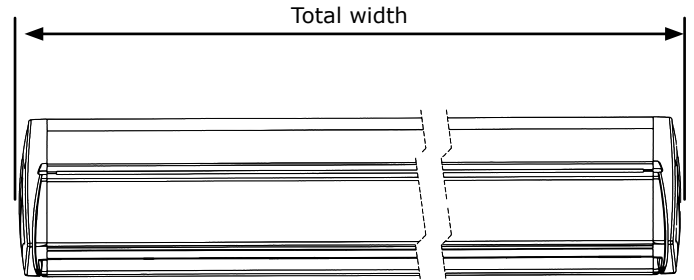
Dimensions

- Minimum Width: depends on the selected arm size > projection +570m
- Maximum Width: 7m with a single section.
- Two LX530 folding arm awnings can be coupled for maximum total width of 12m.

Projection

Minimum 1.500mm At 500mm intervals to Maximum 4000mm

Minimum mounting height 2.15m plus clearance dimension 'B'



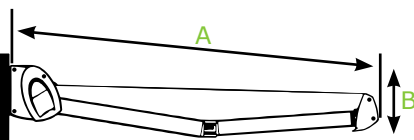
Weight

Approx 19 kg per meter of width

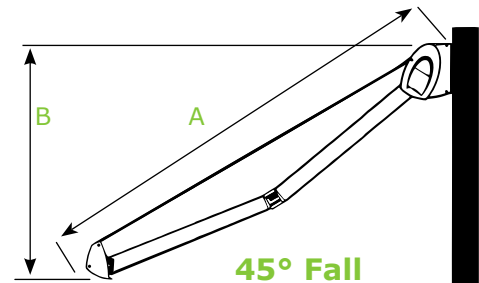
Clearance Dimension 'B'

A(mm)	B(mm)
1500	260
2000	345
2500	435
3000	520
3500	610
4000	695

A(mm)	B(mm)
1500	1060
2000	1410
2500	1770
3000	2120
3500	2475
4000	2830



10° Fall



45° Fall

Fabric Type: Acrylic

Composition -Dyed acrylic fibre.

Colours -A range of solid colours and attractive stripes and patterns.

Thickness -Approx 0.5 mm

Properties -Treated to resist rot, fungal growth and resistant to dirt.

Valance

- Optional accessory
- Choice of four types



-standard height: 250 mm (other heights possible)

Operating system

-Motorised operation using an integrated tubular motor controlled by a conventional switch.

Fabric type: Polyester

Composition - Polyester fibre coated with PVC

Colours - A range of solid colours.

Thickness: 0.32 mm

Properties - Outstanding ventilation properties, protected against UV radiation, easy cleaning. The maximum width of an LX530 awning with polyester fabric is 5 metres.

Vario Valance

Optional accessory this is an electrical operated roll down valance that provides protection against low angle sun, maximum height 1.5m with acrylic fabric or 2m with polyester fabric.

Control options

- Motor with integrated radio receiver for operation with a wall mounted or hand held radio transmitter.
- Wind/sun control unit.
- Linked to a building or home management system.

