

Trojan 80

External Venetian Blinds

Rigid Slat Range

SEC80 Motorised control and side cable.

SEG80 Motorised control and side guides.

SRG80 Gearbox control and side guides.

SRC80 Gearbox control and side cables.

Flexible Slat Range

FEC80 Motorised control and side cable.

FRC80 Gearbox control and side cables.

Technical Specification

Slats

Made from special grade aluminium alloy that is designed to give the greatest flexibility with maximum resistance to corrosion. They are roll-formed from pre-coated aluminium strip that has been specially treated before enamelling to give maximum bond between metal and the finish. The enamel, in a wide range of colours, is then baked to give a finish highly resistant to scratching, fading and cracking. The profile is 80mm wide x 0.45mm thick with a curved form.

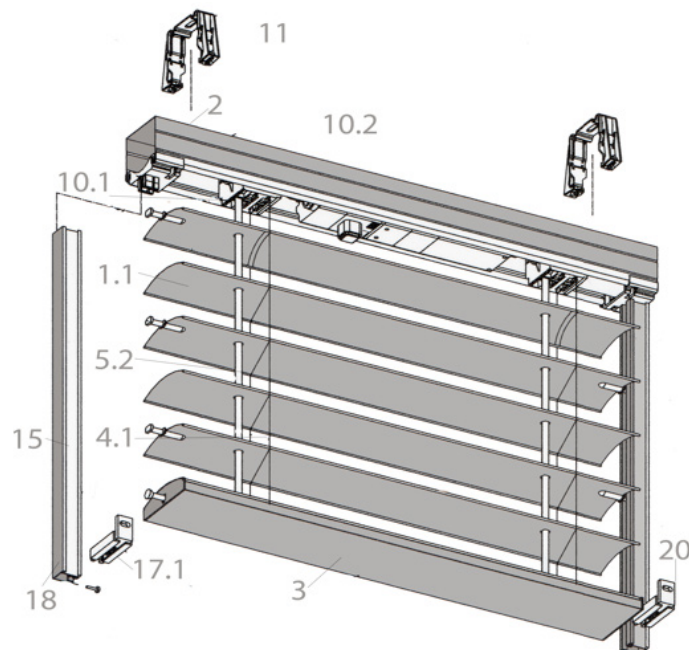
Head Rail

Roll formed steel section 58mm wide x 56mm deep which conceals the operating mechanism and has a galvanised finish.

Tilt and Raise Rod

Rigid 14mm round extruded aluminium fitted through tape rolls in the headrail. Of a dimension to ensure minimal deflection across the width.

- 1.1 Slat
- 2 Headrail
- 3 Bottom Rail
- 4.1 Ladderbraid
- 5.2 Lift Tape
- 10.1 Tape Roll
- 10.2 Tilt and Raise Rod
- 11 Top Fixing Bracket
- 13.1 Gearbox
- 13.2 Universal Joint
- 13.3 Operating Rod
- 14.1 Motor
- 15 Side Guide Cable
- 17.1 Side Cable Bracket
- 17.2 Side Cable Cill Bracket
- 18 Side Guide
- 20 Side Guide Bracket
- 21 Guide Pin
- 22 Limit Adjuster
- 26 Fascia Boxing



Component Descriptions complying with EN12246



Trojan 80

External Venetian Blinds

Bottom Rail

Extruded aluminium section 85mm wide x 17mm deep RAL colour to match the slat .End caps are black or grey.

Ladderbraid

External grade mini visible Trevira® braid available in black and grey. It is shrinkproof, rot proof and guaranteed fade resistant. Spacing between ladders is 68mm.

Lift Tape

6mm wide polyester lift tape in black or grey that is weather, shrink, stretch, break and fold resistant.

Side Guides

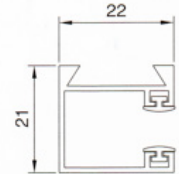
Trojan slats are guided by extruded aluminium sections or tensioned polyamide cable. All profiles have nylon inserts in both sides of the extrusion as a noise buffer.

- Standard guide ES22 with bracket groove is for face fixing.
- Reveal guide N18 is fixed directly through the back of the guide.
- Type EF40 guide is a reinforced profile that allows greater span between fixings.
- Type RE41 guide has a re-informed round profile.

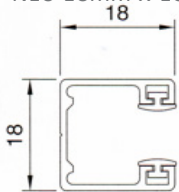
All are available as a centre (double) guide

- Easy Fit guides are particularly suited to retro-fit applications as all of the fixing points are on the side guides. The blind and fascia box are supported on the guides both simplifying the installation procedure and reducing the impact of the assembly on the building structure.

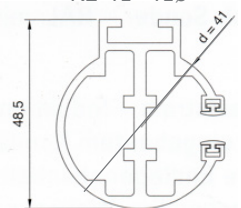
E22 22mm x 21mm



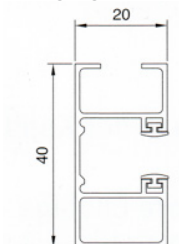
N18 18mm x 18mm



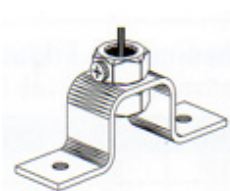
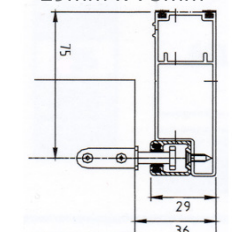
RE 41 41Ø



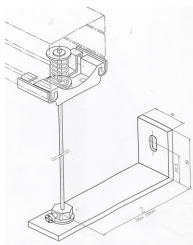
EF40 20mm x 40mm



Easy Fit guide
29mm x 75mm



BA25 Cill bracket



SW40 Face fix bracket

Side Guide Cable

3mm polyamide cable is secured in the headrail and tensioned to either a cill bracket type BA25 or a face fix angle bracket type SW40

Cable Louvre Inserts

Nylon inserts are fitted to the ends of the slats to re-inforce and ensure friction free operation.

Side Guide Pins

Nylon guide pins are fitted to alternate ends of the slats to allow movement of the slatting area. The pins are grey or black.

Performance

Trojan 80 meet the performance requirements of EN13561 Class 3 for wind resistance which is Beaufort scale force 6 (strong wind) a wind speed of 49 km/h



Trojan 80

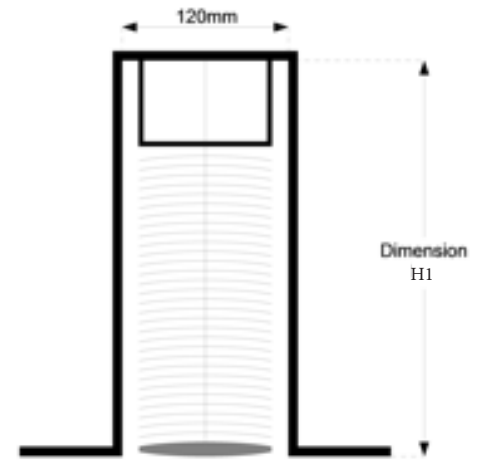
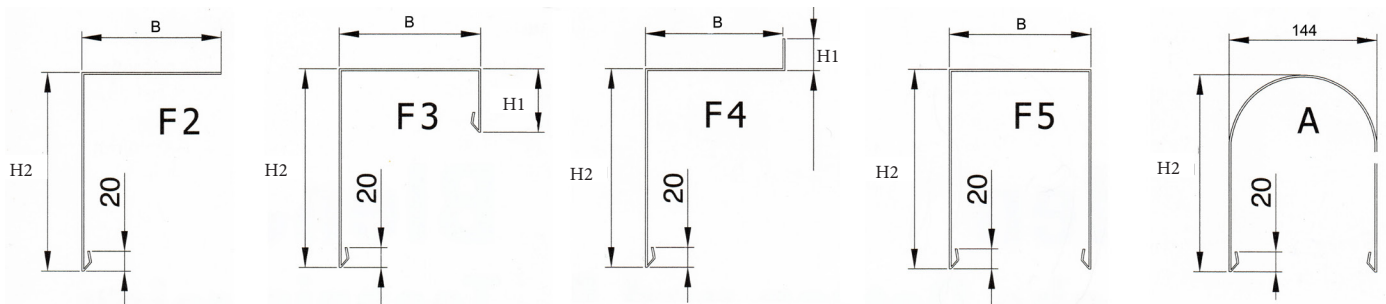
External Venetian Blinds

Boxing or Fascia

Ideally the blind is recessed into an opening above the window head. A minimum opening width of 120mm is required to allow access, this dimension should not be exceeded. The depth required (H1) is shown on the stacking chart. On existing buildings a fascia or box will be required to house the blind when retracted. There are 5 profiles with standard depths (H2).

Stacking dimensions and dimension charts are different for the various options of slat size, type and control. See separate specification sheet.

Standard Fascia Profiles



Trojan recessed into opening above window

Blind Type	SEC80 SEG80 SRC80 SRG80		FEC80 FRC80	
	O/A Drop Size (mm)	Stacking Height (mm)(H1)	Cover Height (mm)(H2)	Stacking Height (mm)(H1)
800	190	200	140	150
1000	200	200	150	150
1200	210	250	160	170
1400	230	250	170	170
1600	240	250	180	200
1800	250	250	190	200
2000	260	300	200	200
2200	280	300	210	250
2400	290	300	220	250
2600	300	300	220	250
2800	310	340	230	250
3000	320	340	240	250
3200	340	340	250	250
3400	350	370	260	300
3600	360	370	270	300
3800	370	370	280	300
4000	380	440	290	300
4200	400	440		
4400	410	440		
4600	420	440		
4800	430	440		
5000	440	440		

Blind Type Easy Fit	SEG80 Easy SRG80 Easy
O/A Drop Size (mm)	Cover Height (mm)(H2)
800 - 1200	240
1200 - 2800	330
2800 - 4000	390

Dimension chart				
	Min Width	Max Width	Max drop	Max Sq. Area
FEC80	600	3500	4000	14
FRC80	600	3500	4000	8
SRC80	600	3500	4000	14
SEG80	720	5000	5000	17
SRG80	655	5000	5000	16



Trojan 80

External Venetian Blinds

Operation

Trojan blinds are mono controlled with both tilt and raise/lower on one motor or gearbox. The sequence of the operation is that it first tilts to the closed position and then lowers. Reversing the operation causes the blind to first tilt to the opposite closure before raising. Thus the blind can be fully tilted at any point between fully lowered and fully raised by reversing the control. The slat angle can be also factory set to lower in the working (45°) position.

Motorised Control SEG80, SEC80 and FEC80 Motors

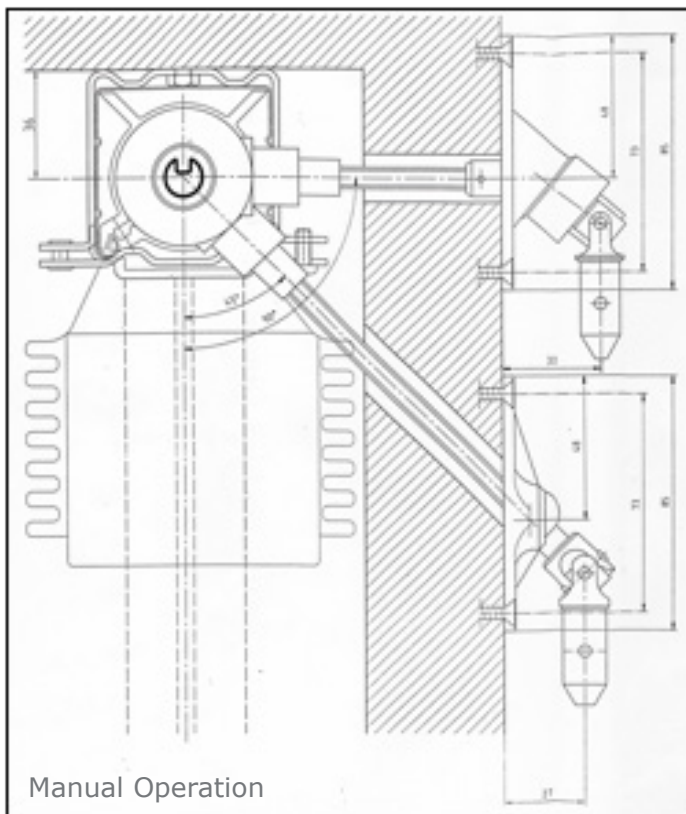
The motor is located in the blind headrail. It is 240v single phase with a maximum current requirement of less than 1 amp. It is supplied with an 80cm "flying" lead. This should be connected to a junction box or plug adjacent to the headrail to facilitate removal for maintenance. 110v motors are also available.

Wiring

The motor has a four core cable Neutral, Earth, Supply for lower and supply for raise. Wiring diagrams are available for all standard control options.

Switches

A range of switches is available. Before using any other type of switch it is important to confirm with us that it is compatible to maintain the motor manufacturers warranty.



Manual Control FRC80, SRG80 and SRC80

Gear Box

Hardened steel gears running in Zamac casings which produce a smooth operation which is robust and maintenance free. The unit is located at one end of the headrail. Sequence of operation is mono controlled (as motorised).

Limit Adjuster

A nylon traveller that if fitted on the tilt shaft with an adjustable stop that is pre-set to prevent damage from over winding.

Universal Joint

A drive from the gearbox exits from the back of the headrail through the building to a universal joint. A 20mm hole is required through the building to allow clearance for the drive. The standard joint drive type GP45 exits at 45° to a nickel plated mounting 22mm wide x 85mm high on the room side. A 90° drive type GP90 is also available.

Operating Rod

The joint is connected to 15mm dia. rod with a cranked end. A nylon magnetic clip retains the rod when not in use.

